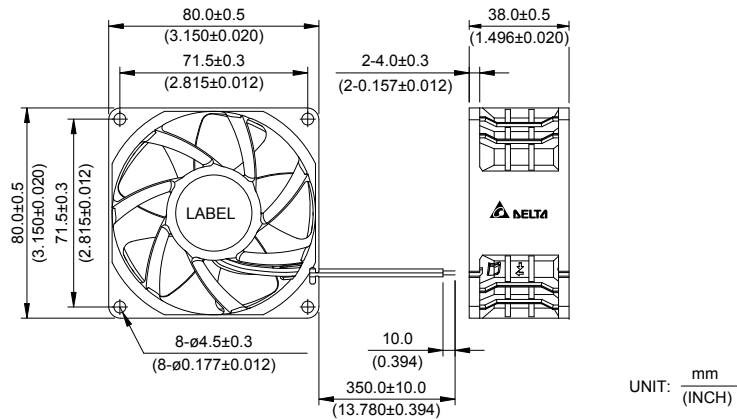


QFR 80 x 80 x 38 MM SERIES

DIMENSIONS DRAWING

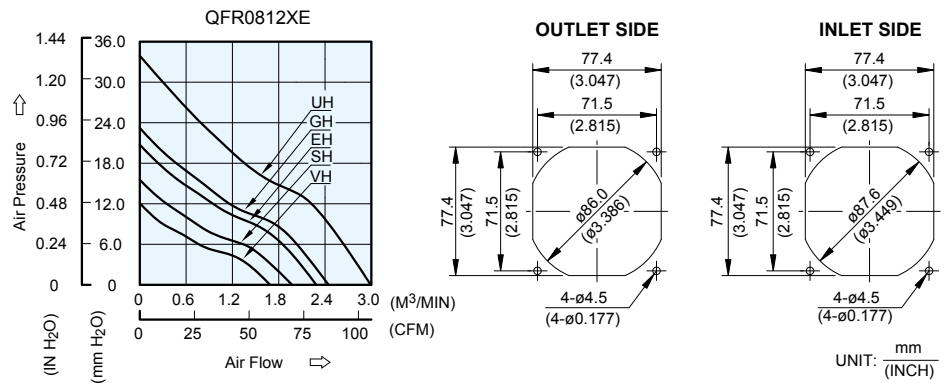


UNIT: $\frac{\text{mm}}{(\text{INCH})}$

- * Bearing Type
Ball Bearings
- * Material
Impeller & Pillow : Plastic (UL 94V-0)
- * Lead Wires :
UL 1007 AWG #24 OR Equivalent
Red Wire Positive(+)
Black Wire Negative(-)
- * Weight : 160g (5.64 oz)

P & Q CURVE (AT RATED VOLTAGE)

MOUNTING PANEL CUTOUT



| MODEL | | Rated Voltage | Operating Voltage Range | Input Current | Input Power | Speed | Maximum Air Flow | | Maximum Air Pressure | | Noise |
|------------|-----------|---------------|-------------------------|---------------|-------------|--------|---------------------|--------|----------------------|---------------------|-------|
| PART NO. | FUNCTION | VDC | VDC | Amp | Watt | R.P.M. | m ³ /min | CFM | mmH ₂ O | IN H ₂ O | dB-A |
| QFR0812VHE | -R00/-F00 | 12 | 7.0 to 13.2 | 0.29 | 3.48 | 5200 | 1.688 | 59.62 | 12.08 | 0.476 | 44.4 |
| QFR0812SHE | -R00/-F00 | 12 | 7.0 to 13.2 | 0.40 | 4.80 | 5900 | 1.907 | 67.35 | 15.04 | 0.592 | 48.4 |
| QFR0812EHE | -R00/-F00 | 12 | 7.0 to 13.2 | 0.47 | 5.64 | 6800 | 2.214 | 78.17 | 19.80 | 0.780 | 52.8 |
| QFR0812GHE | -R00/-F00 | 12 | 7.0 to 13.2 | 0.72 | 8.64 | 7500 | 2.445 | 86.36 | 23.76 | 0.935 | 55.4 |
| QFR0812UHE | -R00/-F00 | 12 | 7.0 to 13.2 | 1.15 | 13.80 | 9000 | 2.979 | 105.21 | 33.91 | 1.335 | 60.0 |

* Function type is optional.
 * The max. air flow and the speed are measured in free air ; max. air pressure is measured at zero air flow.
 * Noise is measured in anechoic chamber in free air, one meter from intake side.
 * All readings are typical values at rated voltage.
 * Specifications are subject to change without notice.